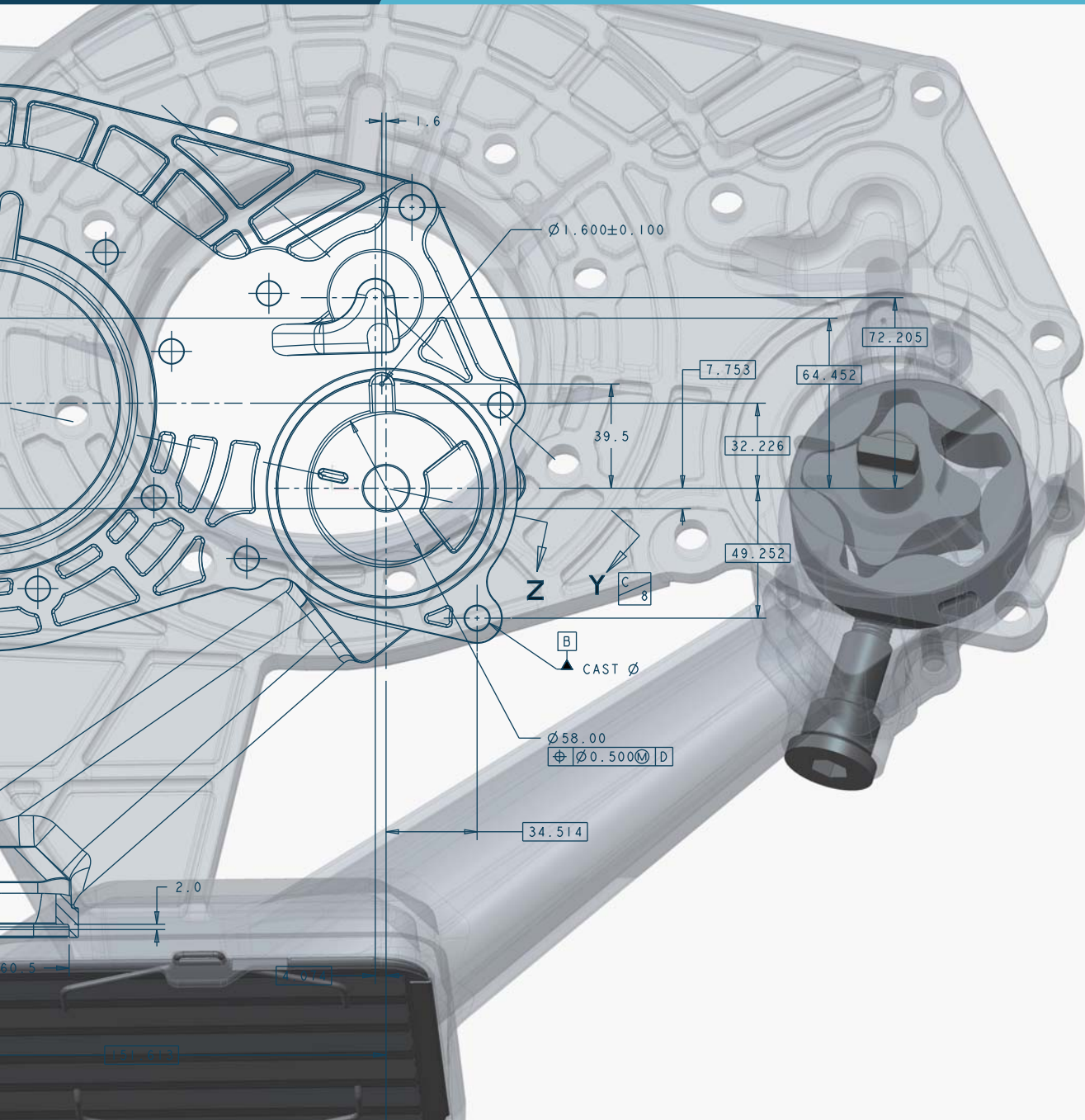


# Your solutions for

Manufacturing  
Supply Chain Management  
Engineering



# Sigma Manufacturing Solutions



## Who we are

We provide advanced manufacturing solutions to assure high quality products for our valued customers.



---

Your solutions for

# Manufacturing Supply Chain Management Engineering



# Sigma Manufacturing Solutions



## Capability

Advanced Engineering  
Precision Manufacturing  
Global Logistics

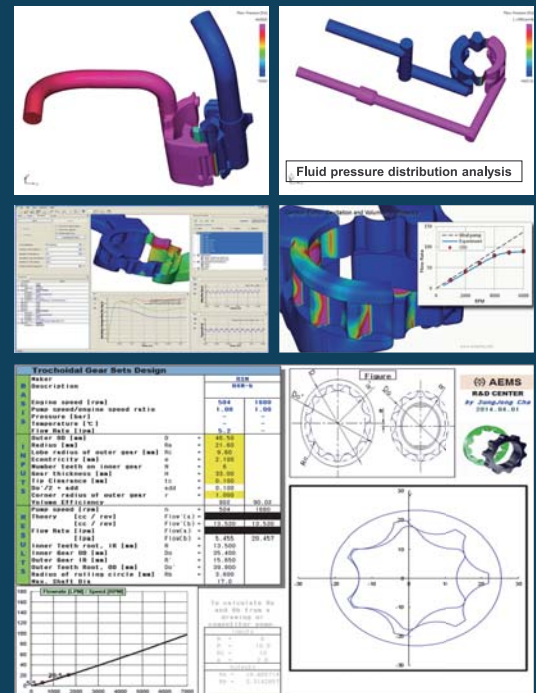


## Machining Capability

Machine Type	MACHINE	MODEL	Table Size	MAKER	Q'TY
CNC	Horizontal MCT	HP5100	500mm*500mm	DOOSAN	1
	CNC TURNING	FUMA200	8"	DOOSAN	1
	Vertical MCT	DNM650	1300mm*670mm	DOOSAN	6
	Vertical MCT	F650	1600mm*650mm	HYUNDAI WIA	1
	Vertical MCT	VX650	1600mm*650mm	HYUNDAI WIA	3
	Vertical MCT	F500	1200mm*500mm	HYUNDAI WIA	1
	Vertical MCT	F500 / 50	1200mm*500mm	HYUNDAI WIA	2
	Vertical MCT	VX500	1200mm*500mm	HYUNDAI WIA	2
	Vertical MCT	Mynx5400	1200mm*540mm	DOOSAN	1
	Vertical MCT	VC510	860mm*570mm(2EA)	DOOSAN	1
Assembly /LEAK	TAPPING CENTER	T4000	650mm*400mm	DOOSAN	2
	Assembling M/C	SPECIAL	N/A	SMS	3
	AIR LEAKTEST M/C	SPECIAL	N/A	SMS	5
TILTING INDEX	WASHING M/C	SPECIAL	N/A	SMS	3
	2A-xis INDEX	SPECIAL	N/A	TAEJIN	4
	1A-xis INDEX	SPECIAL	N/A	TAEJIN	7

## R&D Capability

- Computational Fluid Dynamics
- GE Rotor& Relief Valve System Design
- Casting Flow Analysis with Magma
- Validation Test & Analysis
- 3D CAD with Pro-e



## Inspection Capability

### Metallurgical analysis (In house & key supplier)

- SEM, Microscope, Hardness tester, UTM
- Metal powder analysis, X-ray

### Precision layout (In house)

- CMM (3 x Carl Zeiss with contour measurement)
- Profile tester, Roughness tester & etc.

### Pump performance testing (In house)

- In-process testers (EOL tester)
- Durability & performance tester (Laboratory)

## Certificates

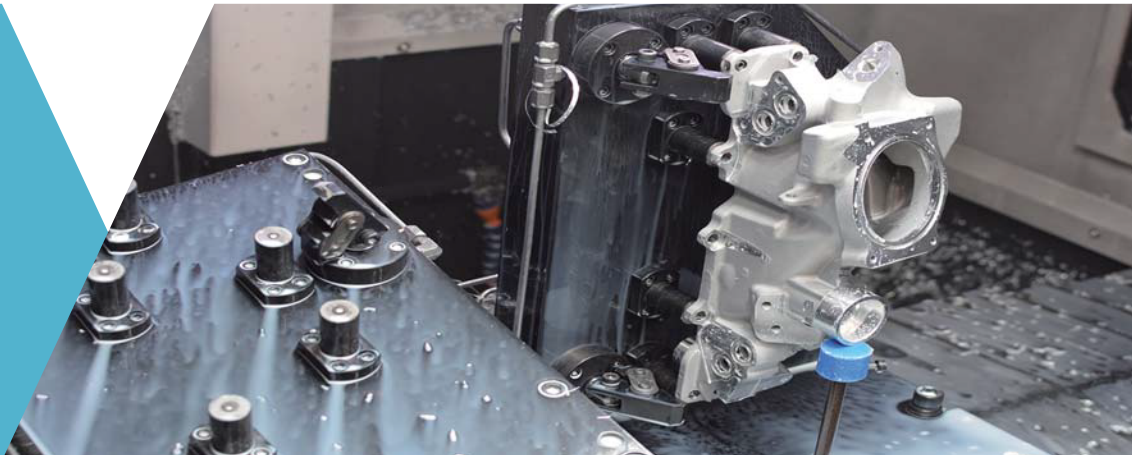
- ISO 9001
- TS 16949
- ISO 14001

# Sigma Manufacturing Solutions



## Products

Automotive Powertrain  
Components.



## Engine parts - Supercharger Cover Ass'y



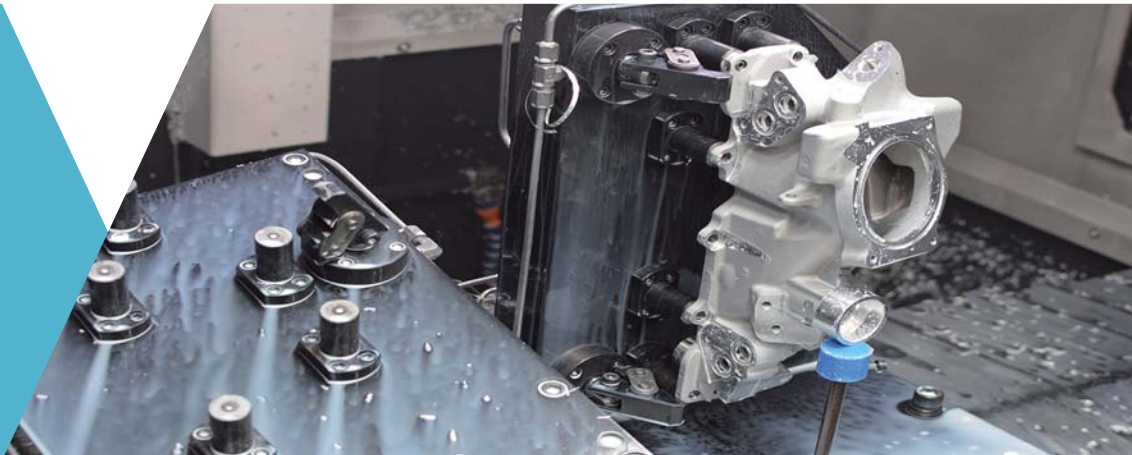
## Transmission Parts - Clutch Housing, Cylinder Cover Rear Bearing Cover, Yoke Ass'y



# Sigma Manufacturing Solutions

## Products

Oil Pump Ass'y.



**T/M Lubrication Pump  
Medium Duty**



**T/M Lubrication Pump  
Heavy Duty**



**Al Boby T/M Lubrication Pump  
Medium Duty**



Sigma Manufacturing Solutions  
29, Miemumsandan-ro 76beon-gil,  
Gangseo-gu, Busan, Korea  
T +82 51 941 7040,7041  
E sales@sms-korea.co.kr

